



# DET36A(/M) Si Biased Detector

## User Guide



















## Table of Contents

Chapter 1	Warning Symbol Definitions .....	2
Chapter 2	Description .....	3
Chapter 3	Setup .....	4
Chapter 4	Operation .....	5
4.1.	<i>Theory of Operation</i> .....	5
4.2.	<i>Responsivity</i> .....	5
4.3.	<i>Modes of Operation</i> .....	5
4.4.	<i>Dark Current</i> .....	6
4.5.	<i>Junction Capacitance</i> .....	7
4.6.	<i>Bandwidth and Response</i> .....	7
4.7.	<i>Terminating Resistance</i> .....	8
4.8.	<i>Shunt Resistance</i> .....	8
4.9.	<i>Series Resistance</i> .....	8
4.10.	<i>Battery Check</i> .....	8
4.11.	<i>Battery Replacement</i> .....	9
Chapter 5	Common Operating Circuits .....	10
Chapter 6	Troubleshooting.....	12
Chapter 7	Specifications.....	13
7.1.	<i>Response Curve</i> .....	14
7.2.	<i>Mechanical Drawing</i> .....	15
Chapter 8	Certificate of Conformance.....	16
Chapter 9	Regulatory .....	17
Chapter 10	Thorlabs Worldwide Contacts .....	17

## Chapter 1 Warning Symbol Definitions

Below is a list of warning symbols you may encounter in this manual or on your device.

Symbol	Description
	Direct Current
	Alternating Current
	Both Direct and Alternating Current
	Earth Ground Terminal
	Protective Conductor Terminal
	Frame or chassis Terminal
	Equipotentiality
	On (Supply)
	Off (Supply)
	In Position of a Bi-Stable Push Control
	Out Position of a Bi-Stable Push Control
	Caution, Risk of Electric Shock
	Caution, Hot Surface
	Caution, Risk of Danger
	Warning, Laser Radiation
	Caution, Spinning Blades May Cause Harm

## **Chapter 2 Description**

The Thorlabs DET36A is a biased, Silicon (Si) detector designed for detection of light signals over 350 to 1100 nm range. The unit comes complete with a photodiode and internal 12 V bias battery enclosed in rugged aluminum housing. The DET36A includes a removable 1" optical coupler (SM1T1), providing easy mounting of ND filters, spectral filters, fiber adapters (SMA, FC and ST style), and other Thorlabs 1" stackable lens mount accessories.

## Chapter 3 Setup

The detector can be set up in many different ways using our extensive line of adapters. However, the detector should always be mounted and secured for best operation. Step 1 in the setup instructions below outline how to mount the detector onto a post.

1. Unpack the optical head, install a Thorlabs TR-series  $\frac{1}{2}$ " diameter post into one of the #8-32 (M4 on /M version) tapped holes, located on the bottom and side of the sensor, and mount into a PH-series post holder.
2. Attach a 50  $\Omega$  coax cable (i.e. RG-58U) to the output of the DET. Select and install a terminating resistor to the remaining end of the cable and connect to a voltage measurement device. See Chapter 4, page 5 to determine resistor values. Thorlabs sells a 50  $\Omega$  terminator (T4119) for best frequency performance and a variable terminator (VT1) for output voltage flexibility. Note the input impedance of your measurement device since this will act as a terminating resistor. A load resistor is not necessary when using current measurement devices.
3. Power the DET on using the power switch. To check battery voltage, see the Battery Check section on page 8.
4. Install any desired filters, optics, adapters, or fiber adapters to the input aperture.



### Caution!



**The DET36A was designed to allow maximum accessibility to the photodetector by having the front surface of the diode flush with the outside of the DET housing. When using fiber adapters, make sure that the fiber ferrule does not crash into the detector. Failure to do so may cause damage to the diode and or the fiber. An easy way to accomplish this is to install a SM1RR retaining ring (included with the DET10C) inside the 1" threaded coupler before installing the fiber adapter**

5. Apply a light source to the detector.

## Chapter 4 Operation

### 4.1. Theory of Operation

A junction photodiode is an intrinsic device which behaves similarly to an ordinary signal diode, but it generates a photocurrent when light is absorbed in the depleted region of the junction semiconductor. A photodiode is a fast, highly linear device that exhibits high quantum efficiency based upon the application and may be used in a variety of different applications.

It is necessary to be able to correctly determine the level of the output current to expect and the responsivity based upon the incident light. Depicted in Figure 1 is a junction photodiode model with basic discrete components to help visualize the main characteristics and gain a better understanding of the operation of Thorlabs' photodiodes.

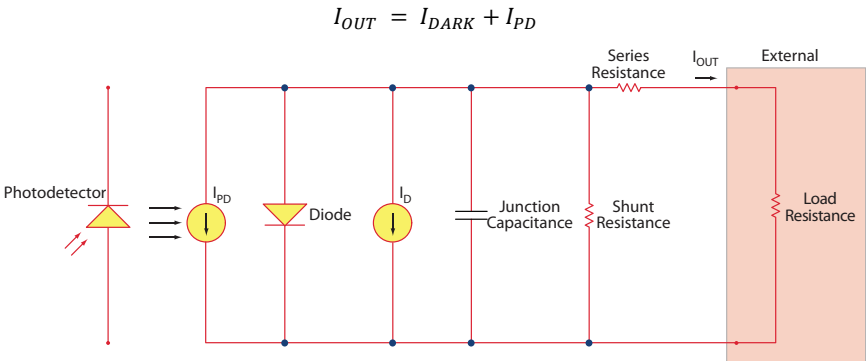


Figure 1 Photodiode Model

### 4.2. Responsivity

The responsivity of a photodiode can be defined as a ratio of generated photocurrent ( $I_{PD}$ ) to the incident light power ( $P$ ) at a given wavelength:

$$R(\lambda) = \frac{I_{PD}}{P}$$

### 4.3. Modes of Operation

A photodiode can be operated in one of two modes: photoconductive (reverse bias) or photovoltaic (zero-bias). Mode selection depends upon the applications speed requirements and the amount of tolerable dark current (leakage current).

## **Photoconductive**

In photoconductive mode, an external reverse bias is applied, which is the basis for our DET series detectors. The current measured through the circuit indicates illumination of the device; the measured output current is linearly proportional to the input optical power. Applying a reverse bias increases the width of the depletion junction producing an increased responsivity with a decrease in junction capacitance and produces a very linear response. Operating under these conditions does tend to produce a larger dark current but this can be limited based upon the photodiode material. (Note: The DET detectors are reverse biased and cannot be operated under a forward bias.)

### **Note**

**The DET detectors are reverse biased and cannot be operated under forward bias conditions.**

## **Photovoltaic**

In photovoltaic mode the photodiode is zero biased. The flow of current out of the device is restricted and a voltage builds up. This mode of operation exploits the photovoltaic effect which is the basis for solar cells. The amount of dark current is kept at a minimum when operating in photovoltaic mode.

## **4.4. Dark Current**

Dark current is leakage current which flows when a bias voltage is applied to a photodiode. Photoconductive mode tends to generate a higher dark current that varies directly with temperature. It can be inferred that dark current can approximately double for every 10 °C increase in temperature, and shunt resistance can double for every 6 °C rise. Of course, applying a higher bias will decrease the junction capacitance but will increase the amount of dark current present.

The dark current present is also affected by the photodiode material and the size of the active area. Silicon devices generally produce low dark current compared to germanium devices which have high dark currents. The table below lists several photodiode materials and their relative dark currents, speeds, sensitivity, and costs.

The table below gives some advantages to each common type of detector material.

Material	Dark Current	Speed	Sensitivity <sup>1</sup> (nm)	Cost
Silicon (Si)	Low	High	400 – 1000	Low
Germanium (Ge)	High	Low	900 – 1600	Low
Gallium Phosphide (GaP)	Low	High	150 – 550	Med
Indium Gallium Arsenide (InGaAs)	Low	High	800 – 1800	Med
Extended Range: Indium Gallium Arsenide (InGaAs)	High	High	1200 – 2600	High

## 4.5. Junction Capacitance

Junction capacitance ( $C_J$ ) is an important property of a photodiode as this can have a profound impact on the bandwidth and the response of a photodiode. It should be noted that larger diode areas encompass a greater junction volume with increased charge capacity. In a reverse bias application, the depletion width of the junction is increased, thus effectively reducing the junction capacitance and increasing the response speed.

## 4.6. Bandwidth and Response

A load resistor will react with the photodetector junction capacitance to limit the bandwidth. For best frequency response, a 50  $\Omega$  terminator should be used in conjunction with a 50  $\Omega$  coaxial cable. The bandwidth ( $f_{BW}$ ) and the rise time response ( $t_r$ ) can be approximated using the junction capacitance and the load resistance ( $R_{LOAD}$ ):

$$f_{BW} = \frac{1}{(2\pi R_{LOAD} \times C_J)}$$
$$t_r = \frac{0.35}{f_{BW}}$$

---

<sup>1</sup> Approximate values, actual wavelength values will vary from unit to unit.



---

## 4.7. Terminating Resistance

A load resistance is used to convert the generated photocurrent into a voltage ( $V_{OUT}$ ) for viewing on an oscilloscope:

$$V_{OUT} = I_{OUT} \times R_{LOAD}$$

Depending on the type of the photodiode, load resistance can affect the response speed. For maximum bandwidth, we recommend using a 50  $\Omega$  coaxial cable with a 50  $\Omega$  terminating resistor at the opposite end of the cable. This will minimize ringing by matching the cable with its characteristic impedance. If bandwidth is not important, you may increase the amount of voltage for a given light level by increasing  $R_{LOAD}$ . In an unmatched termination the length of the coaxial cable can have a profound impact on the response, so it is recommended to keep the cable as short as possible.

## 4.8. Shunt Resistance

Shunt resistance represents the resistance of the zero-biased photodiode junction. An ideal photodiode will have an infinite shunt resistance, but actual values may range from the order of ten  $\Omega$  to thousands of  $M\Omega$  and is dependent on the photodiode material. For example, an InGaAs detector has a shunt resistance on the order of 10  $M\Omega$  while a Ge detector is in the  $k\Omega$  range. This can significantly impact the noise current on the photodiode. For most applications, however, the high resistance produces little effect and can be ignored.

## 4.9. Series Resistance

Series resistance models the resistance of the semiconductor material, and this low resistance can generally be ignored. The series resistance arises from the contacts and the wire bonds of the photodiode and is used to mainly determine the linearity of the photodiode under zero bias conditions.

## 4.10. Battery Check

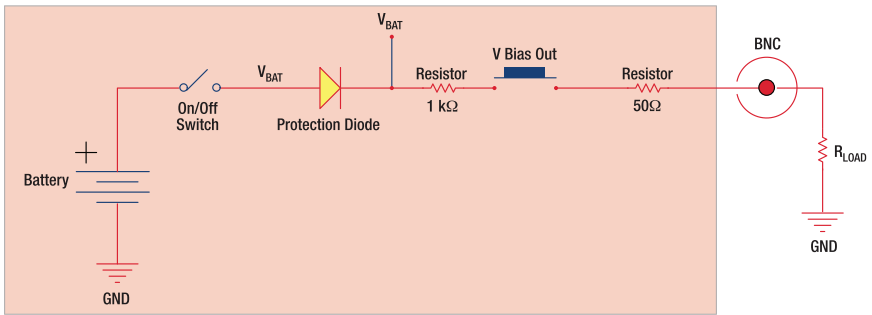
The DET series includes a battery check feature that will allow the user to monitor the bias voltage on the output BNC. Simply hold down the “V Bias Out” button located on the bottom edge of the unit. The bias voltage will be output to the BNC. If a high impedance load is used ( $>10\text{ k}\Omega$ ), the output will be equal to the bias voltage. This feature includes a 1.05  $k\Omega$  current limiting resistor (RCL) to prevent excessive loading of the battery if using small terminating resistors. For example, a 50  $\Omega$  load resistor with a 10 V bias will produce a 200 mA current without this resistor. This will significantly decrease lifetime of the battery.

The output bias voltage will be dependent on the load resistor as described below. The A23 battery voltage characteristics show that the charge level is almost depleted as the voltage drops below 10 V. For this calculation we assume 9.6 V since  $V_{BAT}$  = low battery voltage – one diode drop (0.6 V) = ~9 V. The detector will continue to operate until the battery charge is completely drained, however these numbers provide a reference point at which the battery should be replaced.

$$V_{OUT} = V_{BAT} * \left[ \frac{R_{LOAD}}{R_{LOAD} + R_{CL}} \right]$$

Example:  $V_{BAT} = 9V, R_{LOAD} = 50\Omega, R_{CL} = 1050\Omega$

$$V_{out} = 410\text{ mV}$$

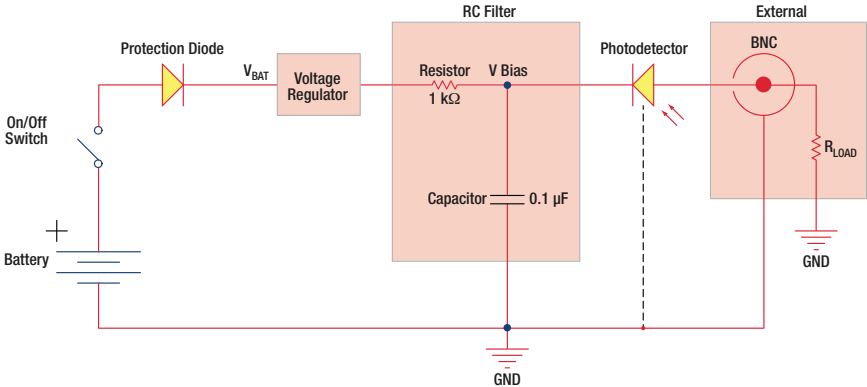


## 4.11. Battery Replacement

Thorlabs delivers each DET with an A23 12 V battery installed. This battery is readily available at most retail stores, as well as through Thorlabs. Please note that due to slight physical variations of the positive terminal from manufacturer to manufacturer, Thorlabs only recommends using an Energizer battery in our DET series of photodetectors. The battery supplied will deliver about 40 hours with a 1 mA load, roughly equivalent to a continuous 1.5 mW light source at peak wavelength. The supply current when the unit is on and no light is applied is very small and should not significantly degrade the battery. The battery can be replaced with a DET1B power adapter when the detector is being used in applications where a small increase in the signal noise due to noise in the line voltage is permissible or the finite lifetime of a battery is not acceptable.

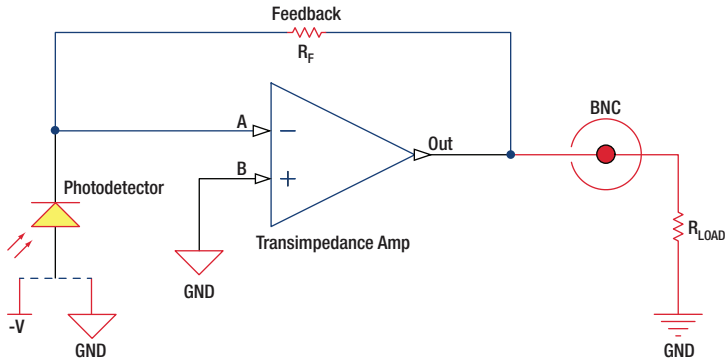
Locate the battery cap directly above the output BNC. Unthread the cap and remove the battery. Install the new battery into the cap, negative side in, and thread back into the DET. Be careful not to cross thread the cap into the housing. The DET includes a protection diode to prevent damage if the battery is installed backwards. The battery direction is located on the housing.

## Chapter 5 Common Operating Circuits



**Figure 2 Basic DET Circuit**

The DET Series Detectors are designed according to the circuit depicted above. The detector is reverse biased to produce a linear response with applied input light. The photocurrent generated is based upon the incident light and wavelength and can be viewed on the oscilloscope by attaching a load resistance on the output. The function of the RC Filter is to filter any high frequency noise from the input supply which may contribute to a noisy output.



**Figure 3 Amplified Detector**

One can also use a photodetector with an amplifier for the purpose of achieving high gain. The user can choose whether to operate in Photovoltaic or Photoconductive modes. There are a few benefits of choosing this active circuit:

- Photovoltaic Mode: The circuit is held at zero volts across the photodiode, since point A is held at the same potential as point B by the operational amplifier. This eliminates the possibility of dark current.
- Photoconductive mode: The photodiode is reversed biased, thus improving the bandwidth while lowering the junction capacitance. The gain of the detector is dependent on the feedback element ( $R_F$ ). The bandwidth of the detector can be calculated using the following:

$$f(-3dB) = \sqrt{\frac{GBP}{4\pi R_f \times C_D}},$$

where GBP is the amplifier gain bandwidth product and  $C_D$  is the sum of the junction capacitance, amplifier capacitance, and feedback capacitance.

## Chapter 6 Troubleshooting

Problem	Suggested Solutions
<p><b>There is no signal response.</b></p>	<p>Verify that the power is switched on and all connections are secure.</p>
	<p>Verify the proper terminating resistor is installed if using a Voltage measurement device.</p>
	<p>Verify that the optical signal wavelength is within the specified wavelength range.</p>
	<p>Verify that the optical signal is illuminating the detector active area.</p>
	<p>Connect the DET to an oscilloscope without a terminating resistor installed. Most general purpose oscilloscopes will have a 10 MΩ input impedance. Point the detector toward a fluorescent light and verify that a 60 Hz (50 Hz outside the US) signal appears on the scope. If so the device should be operating properly and the problem may be with the light source or alignment.</p>
<p><b>There is an AC signal present when the unit is turned off.</b></p>	<p>The detector has an AC path to ground even with the switch in the OFF position. It is normal to see an output response to an AC signal with the switch in this state. However, because the detector is unbiased, operation in this mode is not recommended.</p>
<p><b>The output appears AC coupled with long rise times and the power switch ON.</b></p>	<p>This is usually an indication that the battery level is low and needs to be changed. See the Battery Check and Replacement Section.</p>

## Chapter 7 Specifications

All measurements performed with a 50  $\Omega$  load unless stated otherwise.

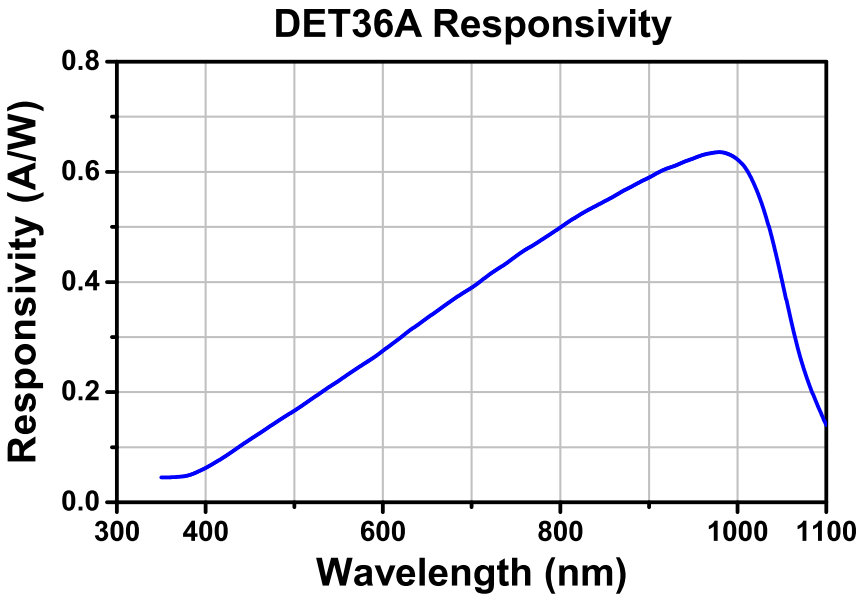
Electrical Specifications		
Detector		Silicon PIN
Active Area		3.6 x 3.6 mm (13 mm <sup>2</sup> )
Wavelength Range	$\lambda$	350 to 1100 nm
Peak Wavelength	$\lambda_p$	970 nm
Peak Response <sup>2</sup>	$\Re(\lambda_p)$	0.65 A/W
Shunt Resistance	$R_{sh}$	1 G $\Omega$
Diode Capacitance	$C_J$	40 pF
Rise Time <sup>2,3</sup>	$t_r$	14 ns
NEP ( $\lambda_p$ )		$1.6 \times 10^{-14}$ W/ $\sqrt{\text{Hz}}$
Bias Voltage	$V_R$	10 V
Dark Current <sup>2</sup> (with 1 M $\Omega$ Load)	$I_D$	0.35 nA (Typ) 6.0 nA (Max)
Output Voltage	$V_{OUT}$	0 to 10 V
General		
On/Off Switch		Slide
Battery Check Switch		Momentary Pushbutton
Output		BNC (DC Coupled)
Package Size		2.8" x 1.9" x 0.83" (70 mm x 48 mm x 21 mm)
PD Surface Depth		0.13" (3.4 mm)
Weight		0.2 kg
Accessories		SM1T1 Coupler SM1RR Retainer Ring
Storage Temp		-20 to 70 $^{\circ}\text{C}$
Operating Temp		10 to 50 $^{\circ}\text{C}$
Battery		A23, 12 V <sub>DC</sub> , 40 mAh
Low Battery Voltage <sup>4</sup>		(See Battery Check)
$V_{OUT}$ (Hi-Z)		~9 V
$V_{OUT}$ (50 $\Omega$ )		~400 mV

<sup>2</sup> Measured with specified bias voltage of 10.0 V

<sup>3</sup> Low battery voltage will result in slower rise times and decreased bandwidth.

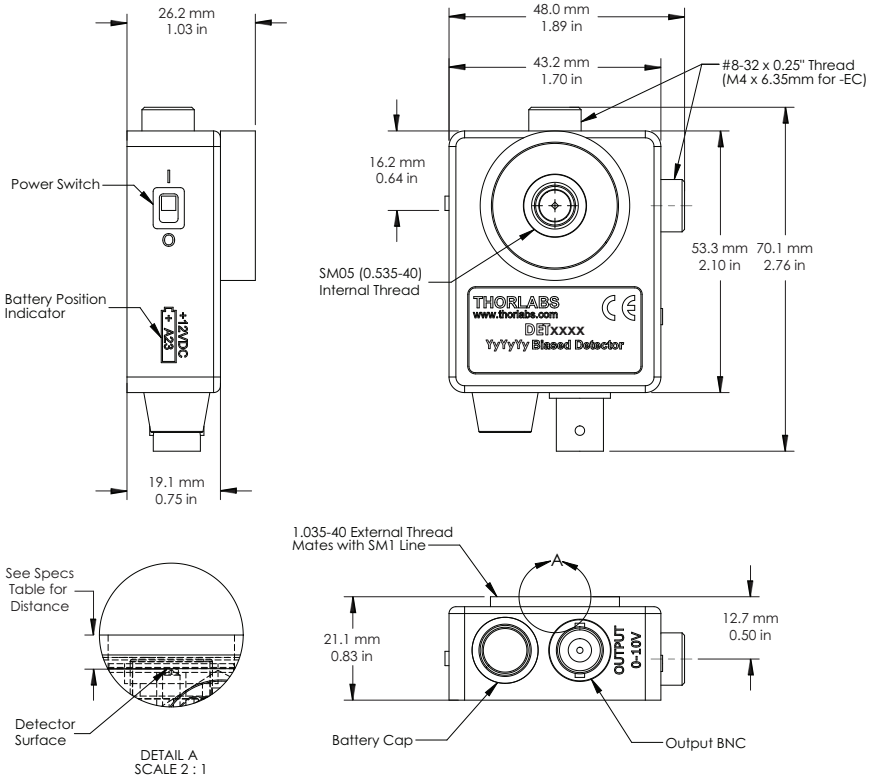
<sup>4</sup> Assumes the battery voltage drops below 9.6 V. The reverse protection diode generates a 0.6 V drop.

## 7.1. Response Curve



## 7.2. Mechanical Drawing

Visit the web for a more detailed mechanical drawing.





# Chapter 8 Certificate of Conformance

## Konformitätserklärung Declaration of Conformity Déclaration de Conformité

Thorlabs Inc  
56 Sparta Ave.  
Newton, NJ  
USA

erklärt in alleiniger Verantwortung, dass das Produkt:  
declares under it's own responsibility, that the product:  
déclare sous notre seule responsabilité, que le produit:

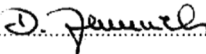
PDA10A, PDA8A, PDF10A, PDA36A, PDA100A, PDA8A/M, PDF10A/M, PDA36A-EC, PDA10AEC, PDA100A-EC, PDA10CF, PDA10CS, PDF10C, PDA10D, PDA10CF-EC, PDA10CS-EC, PDF10C/M, PDA10D-EC, PDA50B, PDA50B-EC, PDA30G, PDA20H, PDA30G-EC, PDA20H-EC, PDA25K, PDA25K-EC, DET25K, DET25K/M, DET10A, DET36A, DET100A, DET100A/M, DET10A/M, DET36A/M, DET50B, DET50B/M, DET20C, DET20C/M, DET30B, DET30B/M, PDA30B, PDA30B-EC, DET10D, DET10D/M, PDA20C, PDA20C/M, PDA20CS, PDA20CS-EC, DET01CFC, DET01CFC/M, DET02AFC, DET02AFC/M

mit den Anforderungen der Normen  
fulfills the requirements of the standard  
satisfait aux exigences des normes

2006/95 EC	Low Voltage Directive 12.Dec. 2006
EMC 2004/108/EC	Electromagnetic Compatibility Directive
EN 61010-1:2001	Safety of Test and Measurement Equipment
EN 61326-1:2006	EMC of Test and Measurement Equipment
CISPR 11 Edition 4:2003	Conducted Emissions
CISPR 11 Edition 4:2003	Radiated Emissions
IEC 61000-3-2,	Harmonics
IEC 61000-3-3	Voltage Fluctuation and Flicker
IEC 61000-4-2	Electrostatic Discharge
IEC 61000-4-3	Radiated Immunity
IEC 61000-4-4	Electrical Fast Transient/Burst, Power Leads
IEC 61000-4-4	Electrical Fast Transient/Burst, I/O Leads
IEC 61000-4-5	Surge Immunity, Power Leads
IEC 61000-4-6	Conducted Immunity, Power Leads
IEC 61000-4-6	Conducted Immunity, I/O Leads
IEC 61000-4-11	Voltage Dips, Interrupts and Variations

übereinstimmt und damit den Bedingungen entspricht.  
and therefore corresponds to the regulations of the directive.  
et répond ainsi aux dispositions de la directive.

Dachau, 27. Februar 2012

  
.....

Ort und Datum der Ausstellung  
Place and date of issue  
Lieu et date d'établissement

Name und Unterschrift des Befugten  
Name and signature of authorized person  
Nom et signature de la personne autorisée

## Chapter 9 Regulatory

As required by the WEEE (Waste Electrical and Electronic Equipment Directive) of the European Community and the corresponding national laws, Thorlabs offers all end users in the EC the possibility to return “end of life” units without incurring disposal charges.

- This offer is valid for Thorlabs electrical and electronic equipment:
- Sold after August 13, 2005
- Marked correspondingly with the crossed out “wheelie bin” logo (see right)
- Sold to a company or institute within the EC
- Currently owned by a company or institute within the EC
- Still complete, not disassembled and not contaminated



**Wheelie Bin Logo**

As the WEEE directive applies to self contained operational electrical and electronic products, this end of life take back service does not refer to other Thorlabs products, such as:

- Pure OEM products, that means assemblies to be built into a unit by the user (e.g. OEM laser driver cards)
- Components
- Mechanics and optics
- Left over parts of units disassembled by the user (PCB's, housings etc.).

If you wish to return a Thorlabs unit for waste recovery, please contact Thorlabs or your nearest dealer for further information.

### 9.1. Waste Treatment is Your Own Responsibility

If you do not return an “end of life” unit to Thorlabs, you must hand it to a company specialized in waste recovery. Do not dispose of the unit in a litter bin or at a public waste disposal site.

### 9.2. Ecological Background

It is well known that WEEE pollutes the environment by releasing toxic products during decomposition. The aim of the European RoHS directive is to reduce the content of toxic substances in electronic products in the future.

The intent of the WEEE directive is to enforce the recycling of WEEE. A controlled recycling of end of life products will thereby avoid negative impacts on the environment.

## Chapter 10 Thorlabs Worldwide Contacts

### USA, Canada, and South America

Thorlabs, Inc.  
56 Sparta Avenue  
Newton, NJ 07860  
USA  
Tel: 973-300-3000  
Fax: 973-300-3600  
www.thorlabs.com  
www.thorlabs.us (West Coast)  
Email: sales@thorlabs.com  
Support: techsupport@thorlabs.com

### Europe

Thorlabs GmbH  
Hans-Böckler-Str. 6  
85221 Dachau  
Germany  
Tel: +49-(0)8131-5956-0  
Fax: +49-(0)8131-5956-99  
www.thorlabs.de  
Email: europe@thorlabs.com

### France

Thorlabs SAS  
109, rue des Côtes  
78600 Maisons-Laffitte  
France  
Tel: +33 (0) 970 444 844  
Fax: +33 (0) 825 744 800  
www.thorlabs.com  
Email: sales.fr@thorlabs.com

### Japan

Thorlabs Japan, Inc.  
Higashi-Ikebukuro Q Building 1F  
2-23-2, Higashi-Ikebukuro,  
Toshima-ku, Tokyo 170-0013  
Japan  
Tel: +81-3-5979-8889  
Fax: +81-3-5979-7285  
www.thorlabs.jp  
Email: sales@thorlabs.jp

### UK and Ireland

Thorlabs Ltd.  
1 Saint Thomas Place, Ely  
Cambridgeshire CB7 4EX  
Great Britain  
Tel: +44 (0)1353-654440  
Fax: +44 (0)1353-654444  
www.thorlabs.com  
Email: sales.uk@thorlabs.com  
Support: techsupport.uk@thorlabs.com

### Scandinavia

Thorlabs Sweden AB  
MöIndalsvägen 3  
412 63 Göteborg  
Sweden  
Tel: +46-31-733-30-00  
Fax: +46-31-703-40-45  
www.thorlabs.com  
Email: scandinavia@thorlabs.com

### China

Thorlabs China  
Room A101, No. 100  
Lane 2891, South Qilianshan Road  
Putuo District  
Shanghai  
China  
Tel: +86 (0) 21-60561122  
Fax: +86 (0)21-32513480  
www.thorlabs.hk  
Email: chinasales@thorlabs.com



**THORLABS**  
[www.thorlabs.com](http://www.thorlabs.com)

---