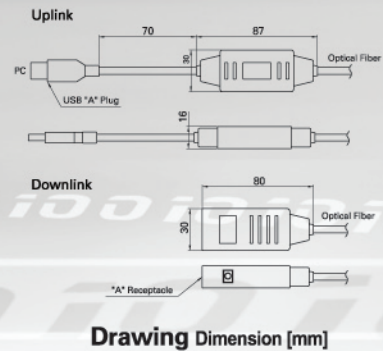


Stretch USB™: Optical USB Extension Cable

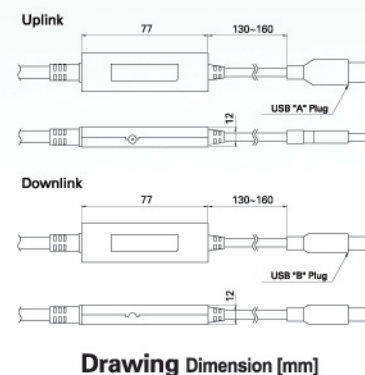
M2-100 ; Pure fiber model

- Complies with USB 1.1 High-speed (12Mbps) standard.
- Extends up to 45 meters (150 feet).
- Offers perfect electrical galvanic isolation.
- Adopts two (2) strands multi-mode fiber between two links, not to be interfered magneto-electrically.
- No software to install, Easy to use; Plug and play; Designs in a generic hub in the downlink.
- Uses USB controller power for the uplink and +5V power adapter in shipping group for the downlink.
- Supports wide-ranged OS's Windows98, XP, 2000, Mac and SUN Solaris (Certified).



M2-210 ; Hybrid fiber model

- Complies with USB 1.1 High-speed (12Mbps) standard.
- Extends up to 45 meters (150 feet).
- Uses +9V DC power adapter in the uplink, supplying power over the hybrid cable to the downlink and devices to be connected.
- No software to install, Easy to use; Plug and play; Designs in a generic hub in the downlink.
- Supports wide-ranged OS's Windows98, XP, 2000, Mac and SUN Solaris (Certified).



Ordering information : M2-1AB-xx for pure fiber and M2-21B-xx for hybrid fiber.

where **A - 0:** A plug-in to A receptacle.

1: A plug-in to B plug-in (use an A-to-B short cable).

B - 0: for Windows/Mac.

1: for SUN Solaris.

xx : Length of fiber in meter.

Electrical Hazard Environment

