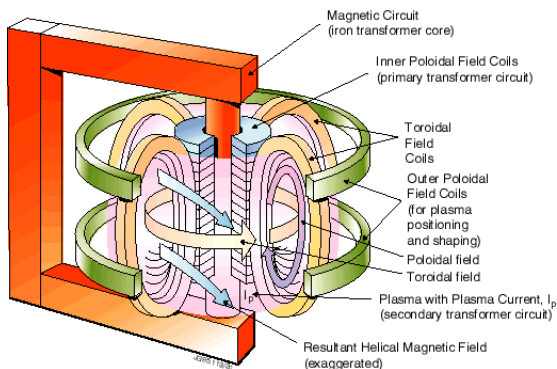


Plasma in Tokamak (GOLEM) - the least to do



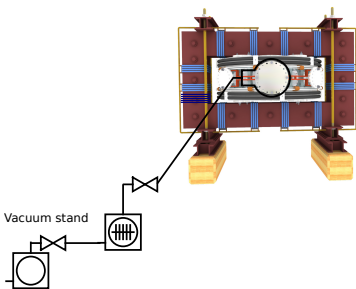
To do:

- session start phase:
 - Evacuate the chamber
- pre-discharge phase
 - Charge the capacitors
 - Fill in the working gas
 - Preionization
- discharge phase
 - Toroidal magnetic field to confine plasma
 - Toroidal electric field to breakdown neutral gas into plasma
 - Toroidal electric field to heat the plasma
 - Plasma positioning
 - Diagnostics
- post-discharge phase

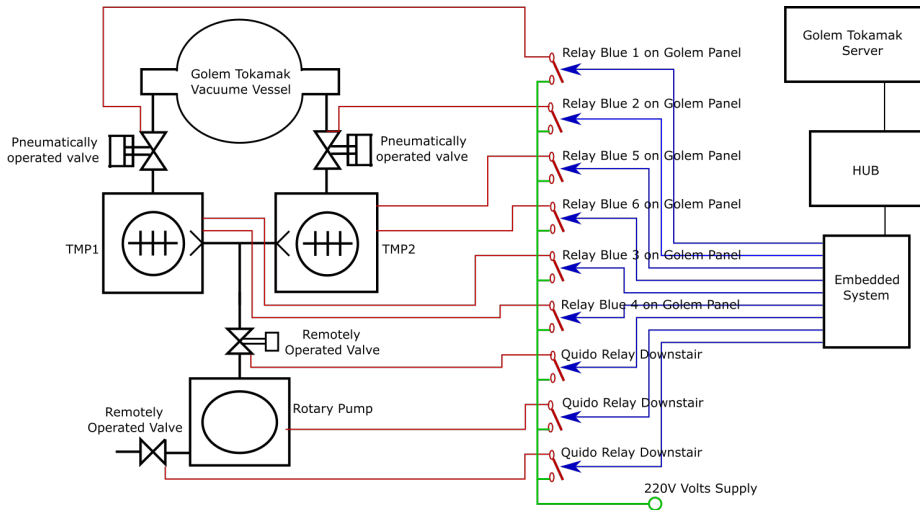
Plasma in Tokamak (GOLEM) - the least to do

To do:

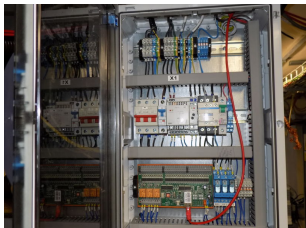
- session start phase:
 - **Evacuate the chamber**
- pre-discharge phase
 - Charge the capacitors
 - Fill in the working gas
 - Preionization
- discharge phase
 - Toroidal magnetic field to confine plasma
 - Toroidal electric field to breakdown neutral gas into plasma
 - Toroidal electric field to heat the plasma
 - Plasma positioning
 - Diagnostics
- post-discharge phase



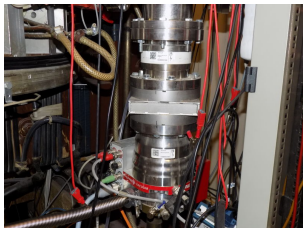
Tokamak GOLEM - vacuum system



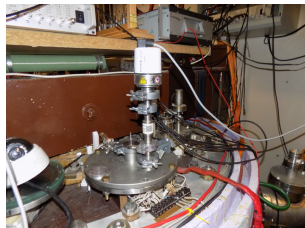
Vacuum system @ GOLEM tokamak - photogallery



Forevacuum control system



TMP I



vacuum gauge



TMP I & TMP II control system

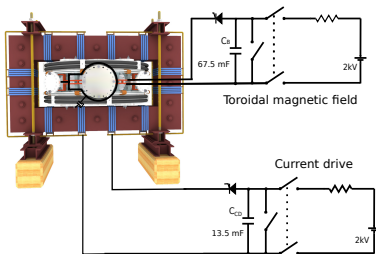


rotary pump



vacuum valve

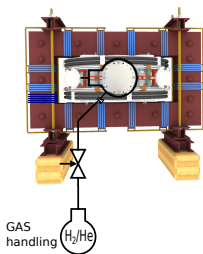
Plasma in Tokamak (GOLEM) - the least to do



To do:

- session start phase:
 - Evacuate the chamber
- pre-discharge phase
 - **Charge the capacitors**
 - Fill in the working gas
 - Preionization
- discharge phase
 - Toroidal magnetic field to confine plasma
 - Toroidal electric field to breakdown neutral gas into plasma
 - Toroidal electric field to heat the plasma
 - Plasma positioning
 - Diagnostics
- post-discharge phase

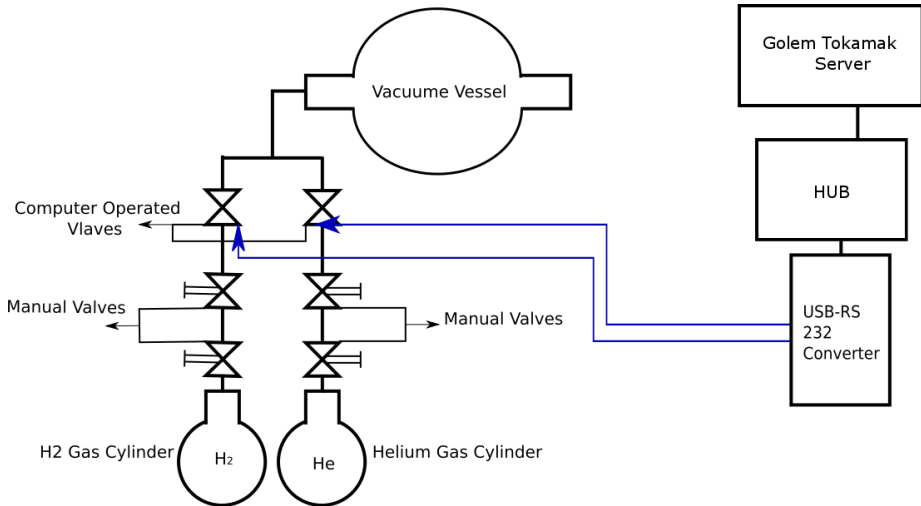
Plasma in Tokamak (GOLEM) - the least to do



To do:

- session start phase:
 - Evacuate the chamber
- pre-discharge phase
 - Charge the capacitors
 - **Fill in the working gas**
 - Preionization
- discharge phase
 - Toroidal magnetic field to confine plasma
 - Toroidal electric field to breakdown neutral gas into plasma
 - Toroidal electric field to heat the plasma
 - Plasma positioning
 - Diagnostics
- post-discharge phase

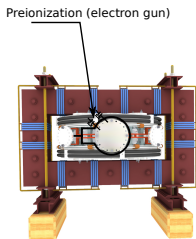
Tokamak GOLEM - gas management



Gas management



Plasma in Tokamak (GOLEM) - the least to do



To do:

- session start phase:
 - Evacuate the chamber
- pre-discharge phase
 - Charge the capacitors
 - Fill in the working gas
 - **Preionization**
- discharge phase
 - Toroidal magnetic field to confine plasma
 - Toroidal electric field to breakdown neutral gas into plasma
 - Toroidal electric field to heat the plasma
 - Plasma positioning
 - Diagnostics
- post-discharge phase

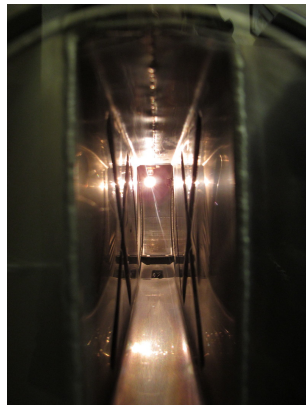
Preionization



outvessel

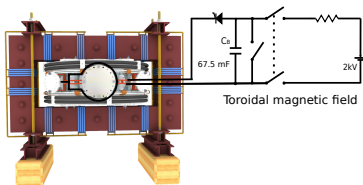


invessel



on

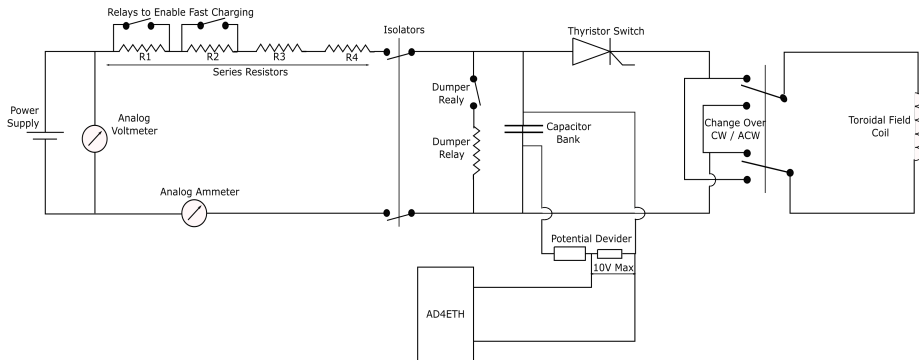
Plasma in Tokamak (GOLEM) - the least to do



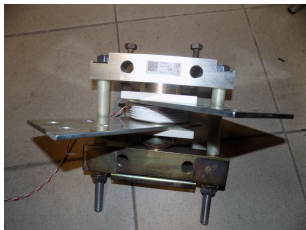
To do:

- session start phase:
 - Evacuate the chamber
- pre-discharge phase
 - Charge the capacitors
 - Fill in the working gas
 - Preionization
- discharge phase
 - **Toroidal magnetic field to confine plasma**
 - Toroidal electric field to breakdown neutral gas into plasma
 - Toroidal electric field to heat the plasma
 - Plasma positioning
 - Diagnostics
- post-discharge phase

Tokamak GOLEM - B_t system



B_t circuit @ GOLEM tokamak - photogallery



Thyristor



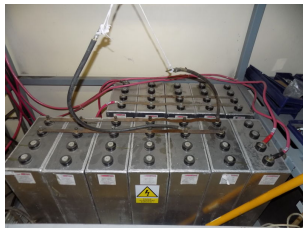
B_t circuit



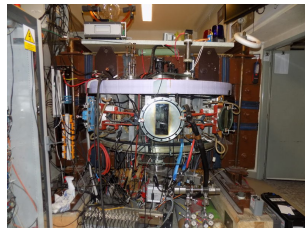
Power supply



Infrastructure room

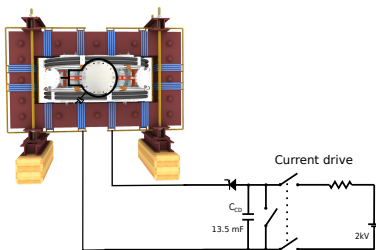


Capacitor bank



Connection to the tokamak

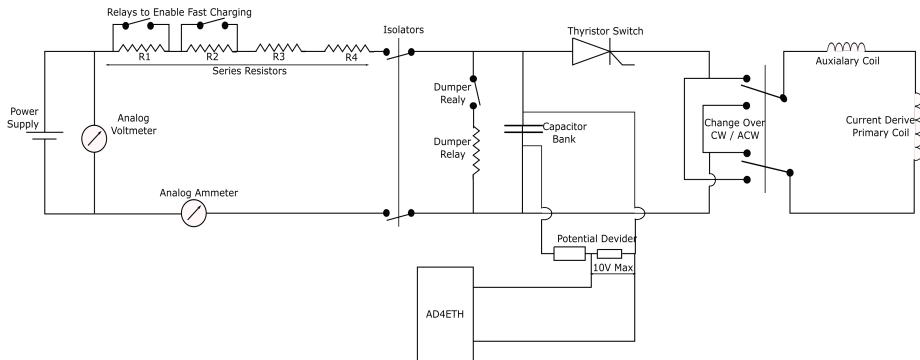
Plasma in Tokamak (GOLEM) - the least to do



To do:

- session start phase:
 - Evacuate the chamber
- pre-discharge phase
 - Charge the capacitors
 - Fill in the working gas
 - Preionization
- discharge phase
 - Toroidal magnetic field to confine plasma
 - **Toroidal electric field to breakdown neutral gas into plasma**
 - **Toroidal electric field to heat the plasma**
 - Plasma positioning
 - Diagnostics
- post-discharge phase

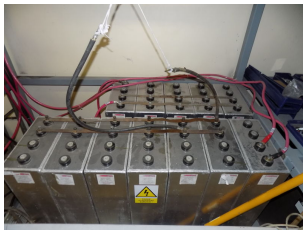
Tokamak GOLEM - E_t system



E_t circuit @ GOLEM tokamak - photogallery



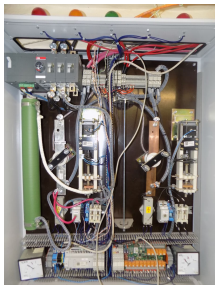
Infrastructure room



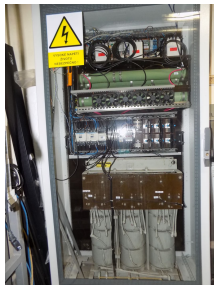
Capacitor bank



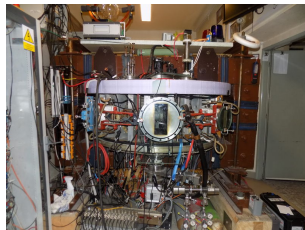
Connection to the tokamak



E_t circuit



Power supply



Tokamak transformer with primary coils