

1 KUS

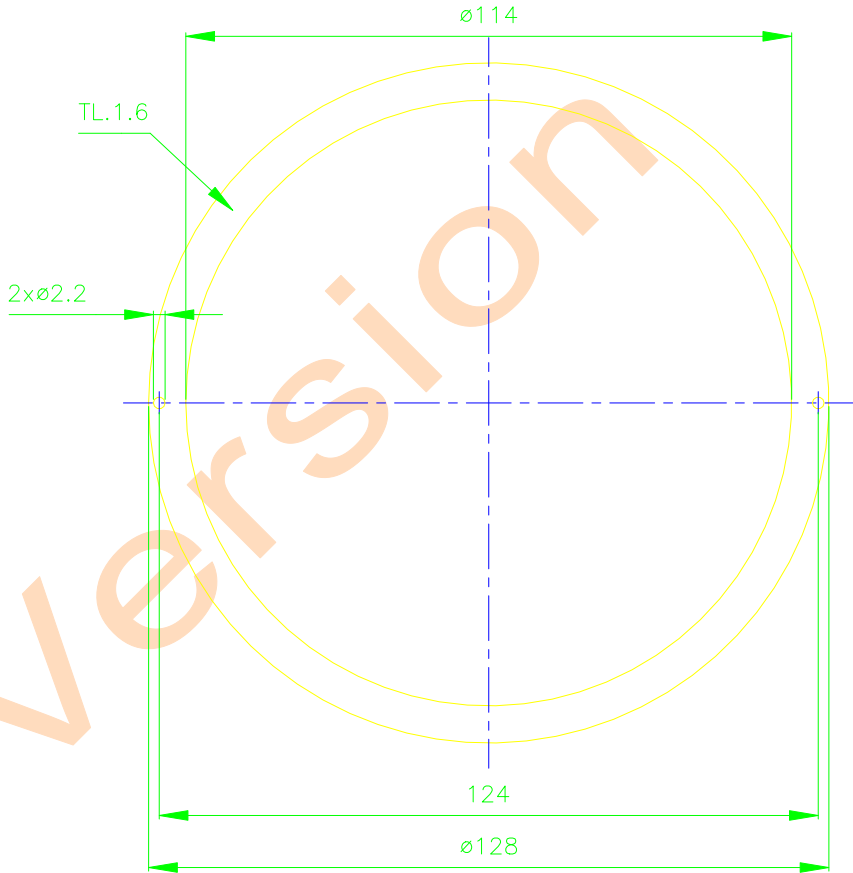
MAT: MOLYBDEN

M 1:1

LIMITER



Trial Version



1 KUS

MAT: MOLYBDEN

M 1:1

LIMITER